

CLARIDGE PRODUCTS AND EQUIPMENT, INC.
P. O. Box 910
Harrison, Arkansas 72602-0910
Phone: (870) 743-2200 Fax: (870) 743-1908
E-Mail: claridge@claridgeproducts.com

INSTALLATION INSTRUCTIONS FOR FACTORY BUILT UNITS - SERIES 5

Claridge Factory Built Units are inspected and are approved as being without damage at the time of shipment. On arrival, carefully examine each carton for damage. If damage is visible have the driver clearly note that fact on your delivery receipt and file claim immediately. Immediately after delivery, open all cartons (save cartons) and inspect for concealed damage. If damage is discovered call carrier and request inspection. Failure to report concealed damage within 15 days will result in the carrier denying your claim. Claridge will not be responsible for any damage claims if an inspection report is not secured and a claim not filed within the time limit.

**NON-COMPLIANCE WITH STORAGE AND INSTALLATION INSTRUCTIONS MAY CAUSE TROUBLE.
PLEASE FOLLOW INSTRUCTIONS CAREFULLY TO BE ASSURED OF A GOOD INSTALLATION.**

STORING INSTRUCTIONS

Prefabricated markerboards, chalkboards and bulletin boards have wood fiber cores or backing materials, and will, under certain climatic conditions, show slight dimensional changes. The following instructions must be followed to guarantee they will remain flat and true.

1. After opening and inspecting boards for damage, return to original crates or cartons for storage and do not uncrate until boards are to be erected. Uncrated, they must not be allowed to lean at an angle against the wall or other objects and must not lay on the floor for any length of time. Boards should be stored in as close to a vertical position as possible.
2. Don't erect boards on damp walls or in damp and humid weather without heat in the building.
3. Clean off all fingerprints, dirt, etc. at once.
4. Break boards in as prescribed (if required) before using.

STEP-BY-STEP INSTRUCTIONS FOR INSTALLING HANGERS

Note: Sections of concealed hanger to be anchored to wall are punched with 3/16" hole and are to be mounted not more than 24" o.c. Angle hangers for bottom of board are punched with slotted holes for wall, and non-slotted hole for bottom of board, and are mounted not more than 24" o.c. (Continuous hangers for bottom are punched 16" o.c.)

1. Chalk lines on wall for placing hangers at same vertical distances as required for height of board.
2. Mount hangers to wall with required type wall fastener. Wall fasteners not furnished.
3. Plumb points A with B, and C with D by shimming where necessary. Place straight edge on hanger from point A to C, shimming where necessary, so that all anchor points of hanger are in line with straight edge, then anchor securely to wall.
4. Attach bottom mounting angle clip with required wall fasteners to wall at architect's specified chalkthrough height (See illustration 1A). Caution should be exercised to assure that the angle is level.
5. Apply Claridge No. 16A Adhesive to back of board by staggering egg size globs of adhesive approximately 12" o.c. (See Illustration No. 2.) Adhesive should not be closer than 6" to edge of board. Caution should be exercised not to use adhesive too sparingly or to allow to remain on back of board more than 10 minutes before hanging.
6. Lift board into position on wall so that board hangers are slightly above wall hangers, then holding board firm against wall, lower until board hangers engage with wall hangers.
7. Using a wood block, tap bottom mounting angle up securely against chalkthrough and install 3/8" screws as provided.
8. Be certain entire chalkboard is shored up for 48 to 72 hours until cement dries.

SEE REVERSE SIDE FOR ILLUSTRATIONS

Note: For boards over 16'0" long joined with H-bars, and for combination units, check the back of the boards for run numbers. These boards have been matched at the factory, and the assembly will match only if the proper run numbers are put in sequence.

**CLARIDGE SERIES #5
FACTORY BUILT UNITS**

ILLUSTRATION NO. 1

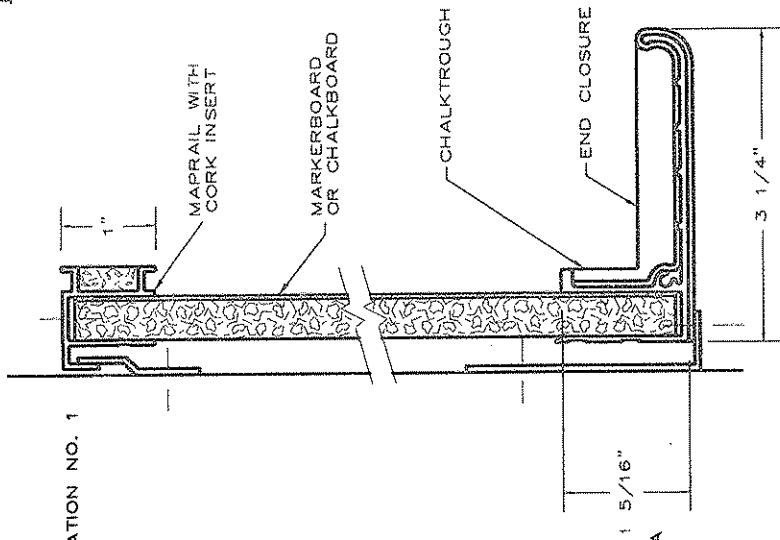


ILLUSTRATION NO. 1A

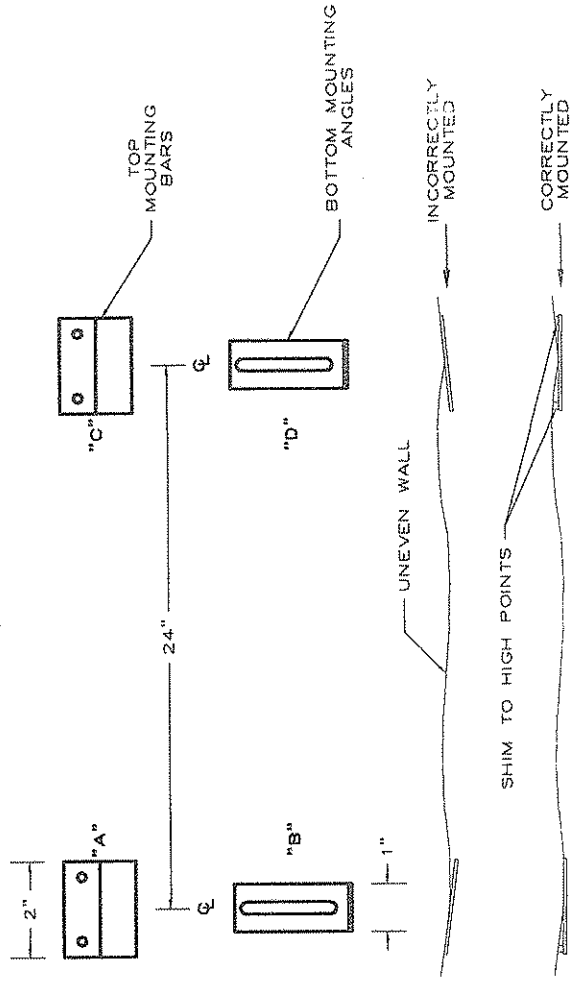
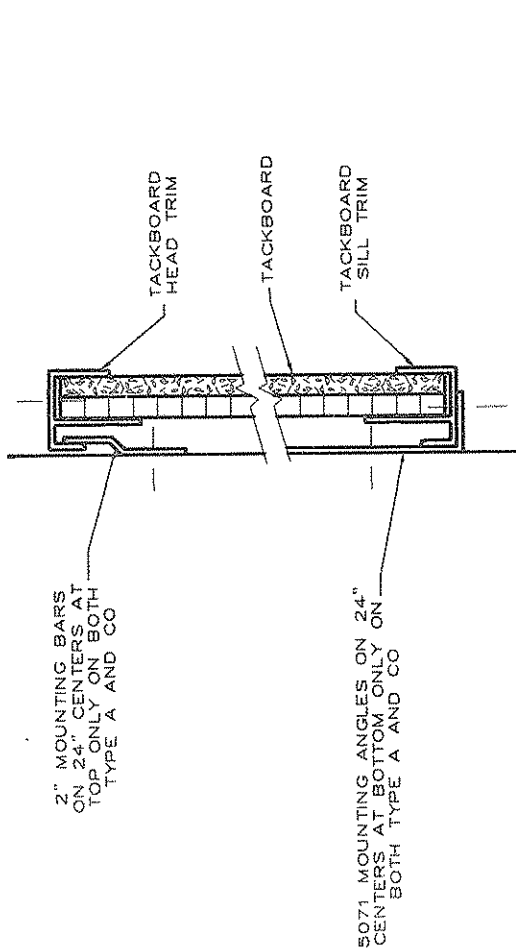
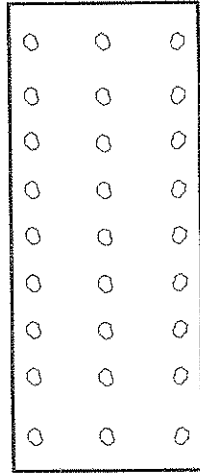


ILLUSTRATION NO. 2



2" MOUNTING BARS
ON 24" CENTERS AT
TOP ONLY ON BOTH
TYPE A AND CO

5071 MOUNTING ANGLES ON 24"
CENTERS AT BOTTOM ONLY ON
BOTH TYPE A AND CO