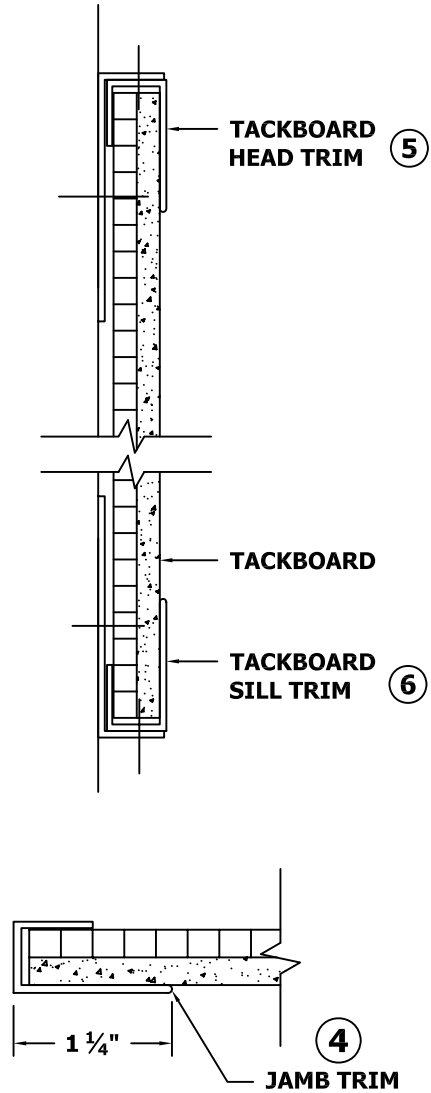
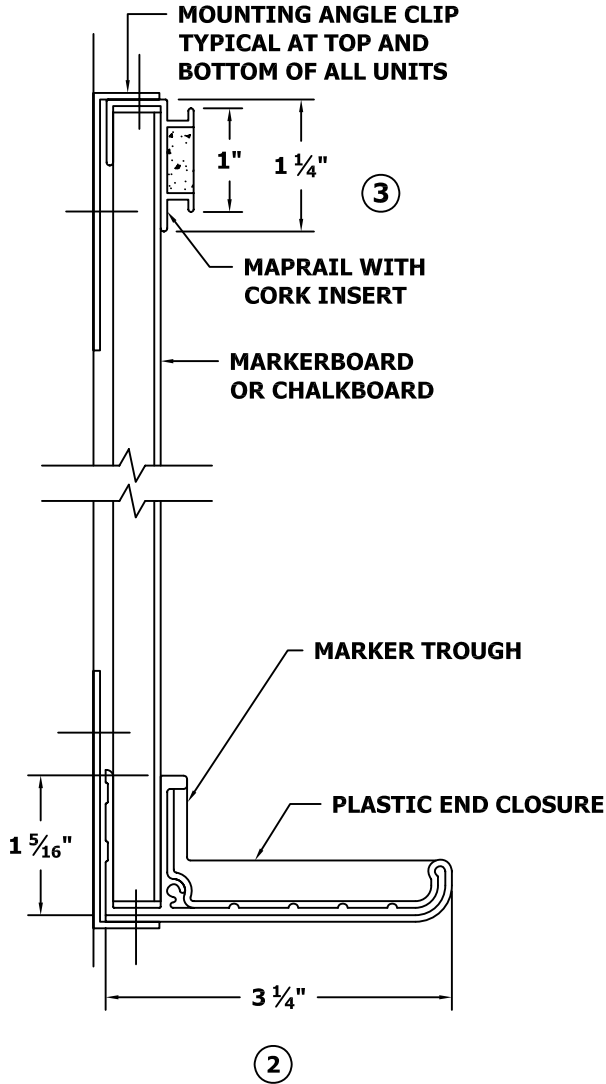


# CLARIDGE SERIES 3 - FACTORY BUILT UNITS TRIM SECTION DETAILS



**SCALE: NOT TO SCALE**

Section:		Project: Location: Architect: Contractor:	<b>Color Selection</b>	
P.B.S. Supply Co. 7013 South 216th Street Kent, WA 98032 Phone: (253) 395-5550 Fax: (253) 395-5575 www.pbssupply.com			Whiteboard: _____	Tackboard: _____
File:	Date:	Drw #	Alum. Trim: _____	
			By: _____	